

# GEKO

Electromechanical automations for swing gates

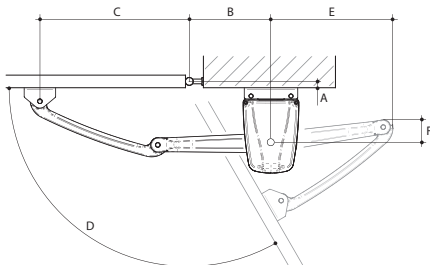


## NET24N 24V d.c. operators with control board and encoder

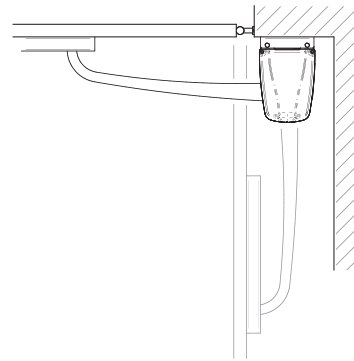
COD.	Art.	EN				OTHER CHARACTERISTICS
628000	<b>GEKO</b>		•	•	NET24N	- 1 operator - Mechanical limit switches - Speed adjustment and slow down in opening and closing
628010	<b>GEKO/2</b>		•	•	NET24N	- 2 operators - Mechanical limit switches - Speed adjustment and slow down in opening and closing

**All models have:** Fixing plate included, arm not included (see on page 56)

## DIMENSIONS WITH ARMS



**Articulated arm**

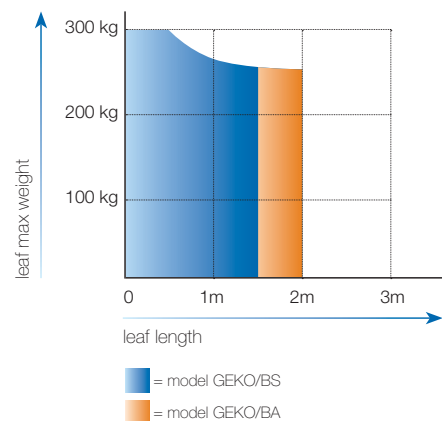


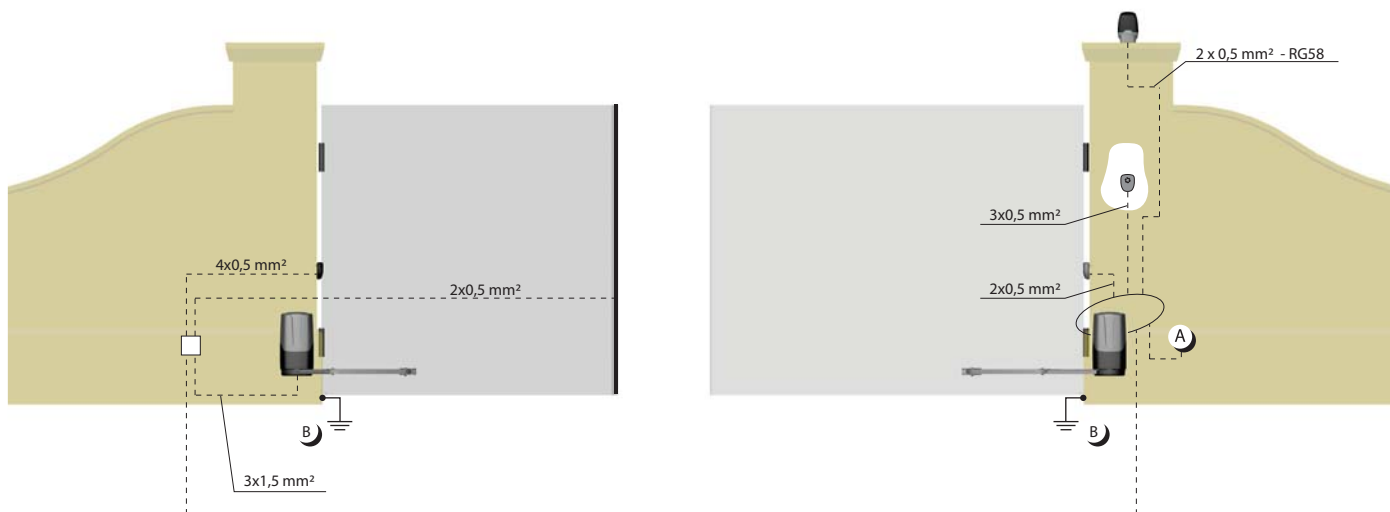
**Sliding arm**

Refer to instructions manual for installation dimensions

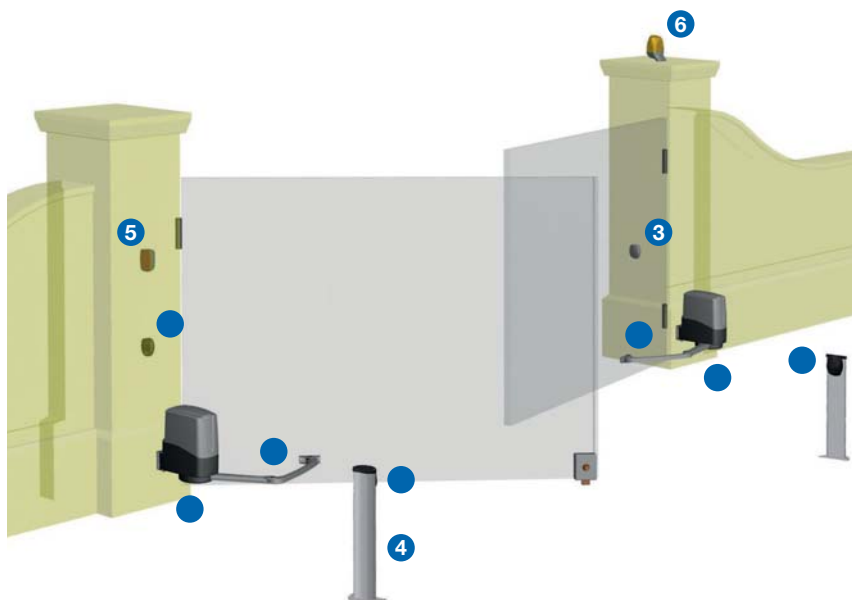
TECHNICAL INFO	GEKO
Motor power supply (V)	24 DC
Maximum power absorption (W)	80
Max thrust (N)	180
Duty cycle (cycles/hours)	20
N. max cycles in 24h.	60
Operating temperature (°C)	-20 ÷ 50
90° Opening time (s)	16
Weight with packing (Kg)	12
Protection degree	IP44

### GUIDE TO USE

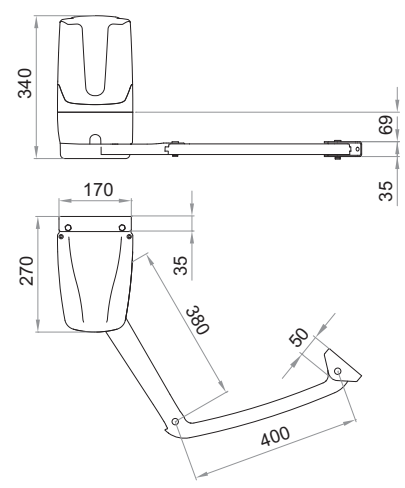




EXAMPLE OF A TYPICAL INSTALLATION



DIMENSIONS



**1** Cod. 628010  
**Art. GEKO/2**  
Electromechanical operator for swing gates

**2** Cod. 629260  
**Art. GEKO/BA**  
Aluminium articulated arm

**3** Cod. 662030  
**Art. 104LUX**  
Pair of adjustable (15°) surface mounted photocells

**4** Cod. 664000  
**Art. PILLY/60**  
Pair of aluminium columns for photocells, height 55 cm.

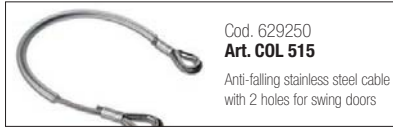
**5** Cod. 663030  
**Art. 102LUX**  
Keyswitch with two contacts, flush mounted. Supplied with 2 keys.

**6** Cod. 661082  
**Art. LED24AI**  
Led flashing light 24V with built-in antenna 433Mhz

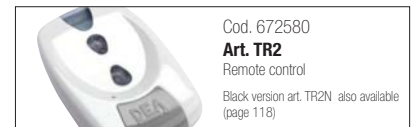
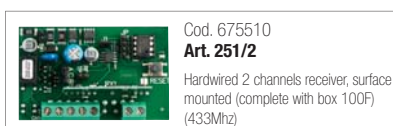
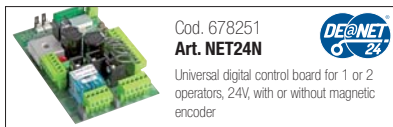
Cod. 672580  
**Art. TR2**  
Remote control  
Black version art. TR2N also available (page 118)

Cod. 668010  
**Art. 127**  
Warning sign

## SPECIFIC ACCESSORIES



## OTHER ACCESSORIES



# GEKO

DEA

SWING GATES